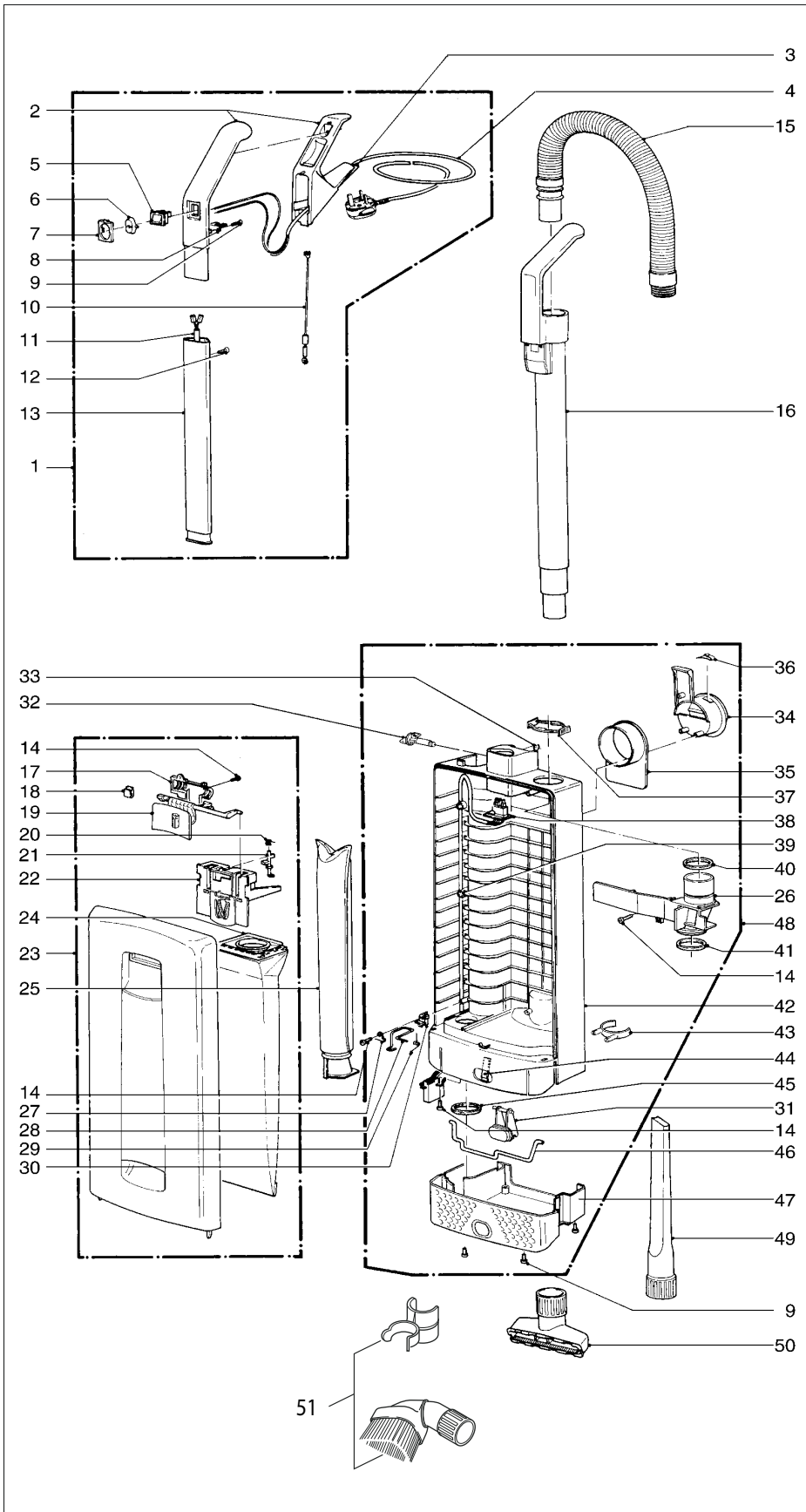
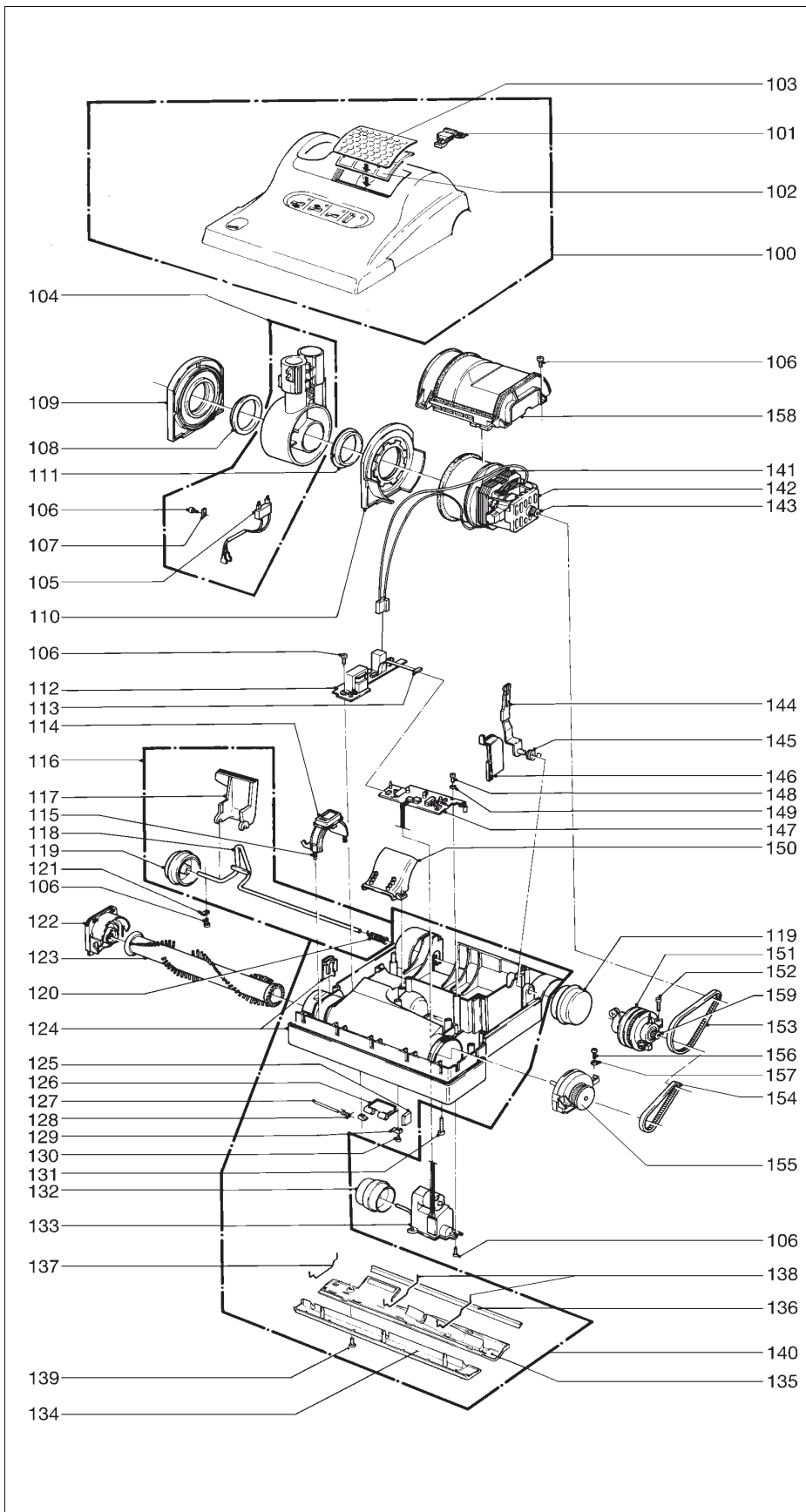


SEBO AUTOMATIC X4 240V BLACK



Pos.	Prod. Code	Description
1	5640AU	Handle, cpl.
2	5295ER	Handle grip (incl. Pos. 7 + 10)
3	5359SW	Grommet
4	5390dg	Cable with AU-Plug
5	05113	Switch
6	5160sb	Switch cap
7	5161sw	Switch cap holder
8	5162	Cable clamp
9	0103ER	Screw C 3,9x16
10	5253-1	Wire-antistatic
11	5216ER	Handle cable
12	0129ER	Screw M4x12
13	5187	Handle tube
14	0102ER	Screw F 3,9x13
15	5040sw	Hose, cpl.
16	5045sw	Extension tube
17	5707sw	Cover, black
18	5319	Bag holder spring
19	5706sb	Cover release
20	5091	Safety catch spring
21	5360	Safety catch
22	5324	Bag holder, cpl. (incl. Pos. 20 + 21)
23	5774SE	Front cover complete
24	5093ER	Dust bag pack
25	5036ER	Micro Hygiene Filter
26	5380SW	Internal cover, cpl. (incl. Pos.40 + 41)
27	1073	Clamp
28	5208	Filter safety catch
29	5210	Return spring
30	5164	Cable clamp
31	5722sb	Dust bag housing locking
32	1859sb	Handle catch
33	0161ER	Clip 4
34	5721sw	Carrying handle
35	5703sw	Cable hook
36	5146	Stop spring
37	5424SB	Retaining ring
38	5217ER	Internal cable
39	5266	Cable clamp
40	5842	Seal
41	5289	Seal
42	5764sw	Dust bag housing
43	1823sw	Attachment clip
44	5084	Spring for locking rod
45	5163	Seal
46	5083	Locking rod
47	5702sw	Dust bag housing bumper base
48	5763sw	Dust bag housing, cpl.
49	1092sw	Crevice nozzle
50	1491sw	Upholstery nozzle
51	1329ER	Brush and clip

SEBO AUTOMATIC X4 240V BLACK



Pos.	Prod.Code	Description
100	5783SE	Power head cover, cpl.
101	5712dg	Exhaust filter catch
102	5143	Exhaust filter
103	5711sw	Exhaust filter cover
104	5729hg	Swivel neck assembly
105	5176	Male contact holder
106	0102ER	Screw F 3,9x13
107	2494	Cable clamp
108	5101	Swivel neck bearing,r.h.
109	5480	Swivel neck support, r.h.
110	5479	Swivel neck support, l.h.
111	5717	Swivel neck bearing,l.h.
112	5193ER	PCB12V power supply
113	5205	Ribbon cable
114	5713sw	Brush roller release
115	5103	Spring
116	5051dg	Axle, assembly
117	5059or	Foot pedal
118	5053	Axle
119	5819dg	Wheel
120	2010	Axle spring
121	2014ER	Axle clamp
122	5031DG	Bearing block right hand
123	5010ER	Brush roller
124	5005dg	Bumper
125	5155dg	Rubbing plate
126	5172OR	Access door (incl. Pos. 127 + 1)
127	5303	Access door axle
128	5304	Access door spring
129	5154dg	Hinge
130	0100ER	Screw C 2,9x9,5
131	0176ER	Screw AM4x30
132	5174dg	Pile adjustment wheel
133	5060ER	Servo motor with gear box
134	5411dg	Front bottom plate, cpl.
135	5412dg	Rear bottom plate, cpl.
136	5400-1	Sealing strip
137	5401	Wire tie
138	5402	Wire tie
139	0197ER	Screw M4x12
140	5482dg	Chassis, cpl.
141	05118S	Carbon brush set/vac mot.
142	5471	Vacuum motor 1000 W/240 V
143	5100	Rubber mounting
144	5462	Motor pulley
145	5129	Support lever
146	5107-1	Support spring
147	5112sw	Motor pulley cover
148	5740ER	Computer controller
149	0107ER	Screw C 2,9x13
150	0143ER	Washer 3,2
151	5173sw	Cover for air channel
152	5464	Sensor
153	0104ER	Screw C 3,9x25
154	5463	Belt 2MR-310-6
155	5110	Belt 219 3M HTDII-6
156	5766hg	Bearing block l.h., cpl.
157	0103ER	Screw C 3,9x16
158	0141ER	Locking washer
159	5018UL	Motor cover
159	5117/1	Sensor pulley