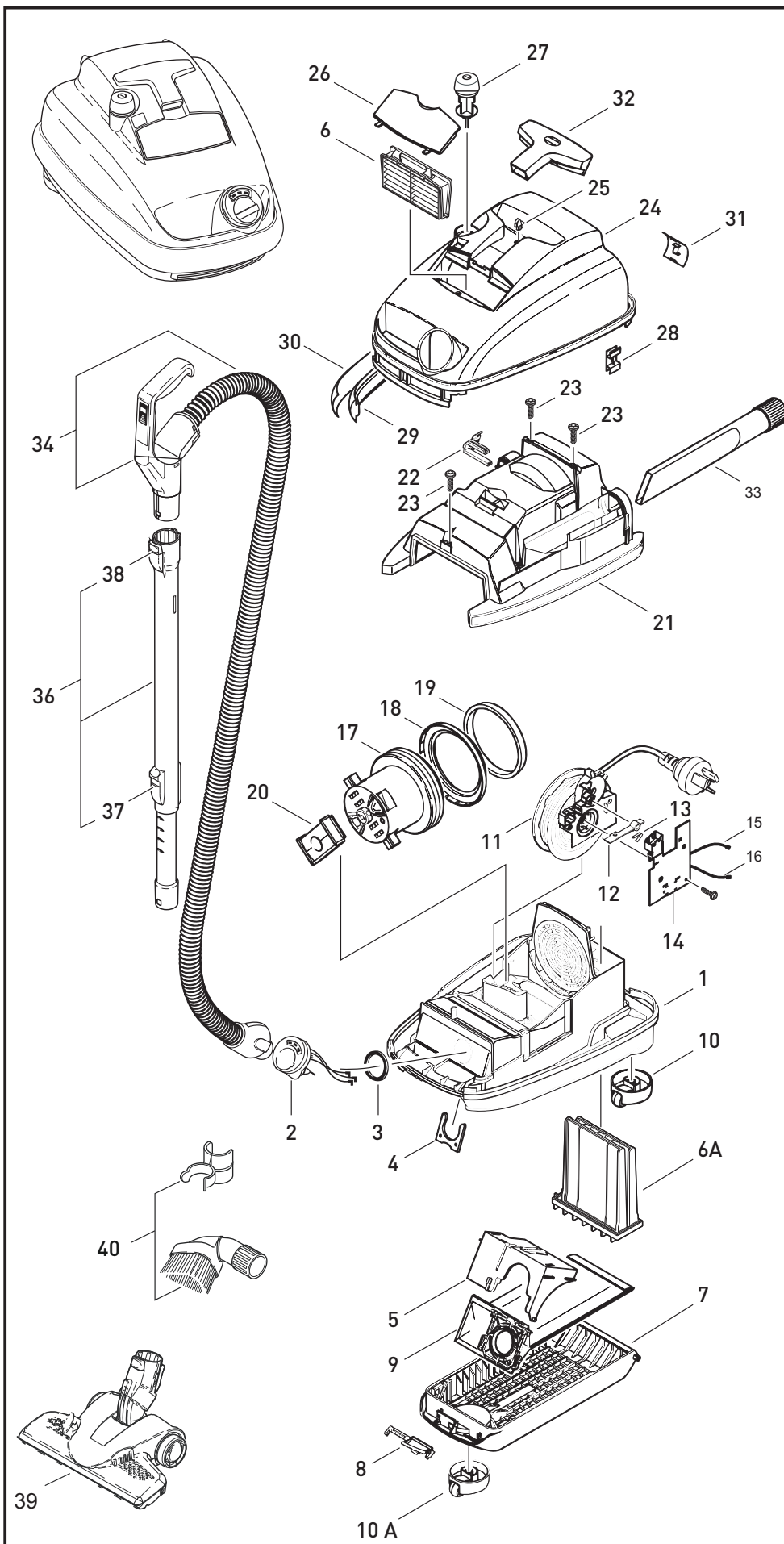


Nayla



SEBO AIRBELT K3 VULCANO

2100 WATT



POS	Part-No.	Description
1	6754dg	Bottom casing
2	6677dg	Suction neck
3	6014	Seal
4	6042ws	Spring lock
5	6681hg	Bag holder, Cpl.
6	6696ER	Microfilter-Box K incl. pos. 6A
7	6756dg	Bag cover, Cpl.
8	6607dg	Cover release
9	6629ER	Filter Bag SEBO K
10	6751dg	Castor cpl. K
10A	6752dg	Castor cpl. K
11	6654	Cable rewind with Aus-plug
12	6621	Switch lever
13	1739	Leaf spring
14	6644ER	Electronic controller
15	6758	Thermo wwitch
16	6638	Internal cable, white
17	6745ER	Vac motor 230/240V
18	6748	Fan ring
19	6747	Seal
20	6636	Engine mounting
21	6679dg	Motor cover
22	6622dg	Plug surround
23	0105ER	Screw
24	6680sr	Top casing
25	6625ER	Release button
26	6439K3	Cover
27	6666vo	On/Off knop
28	6086hg	Casing clip
29	6623UL	Foam bumper
30	6047ER03	Air Belt, Vulcano
31	6048dg	Air Belt clip
32	6627dg	Upholstery nozzle
33	1092dg	Crevice nozzle
34	6379	Handle with hose cpl
36	6271dg	Telescopic tube
37	6421dg	Slide button, cpl.
38	6420dg	Release button, cpl.
39	7260DG	Combination nozzle, cpl.
40	6697ER 6695ER	Dusting brush with clip SEBO Service-Box K incl. pos. 6, 6A, 9