

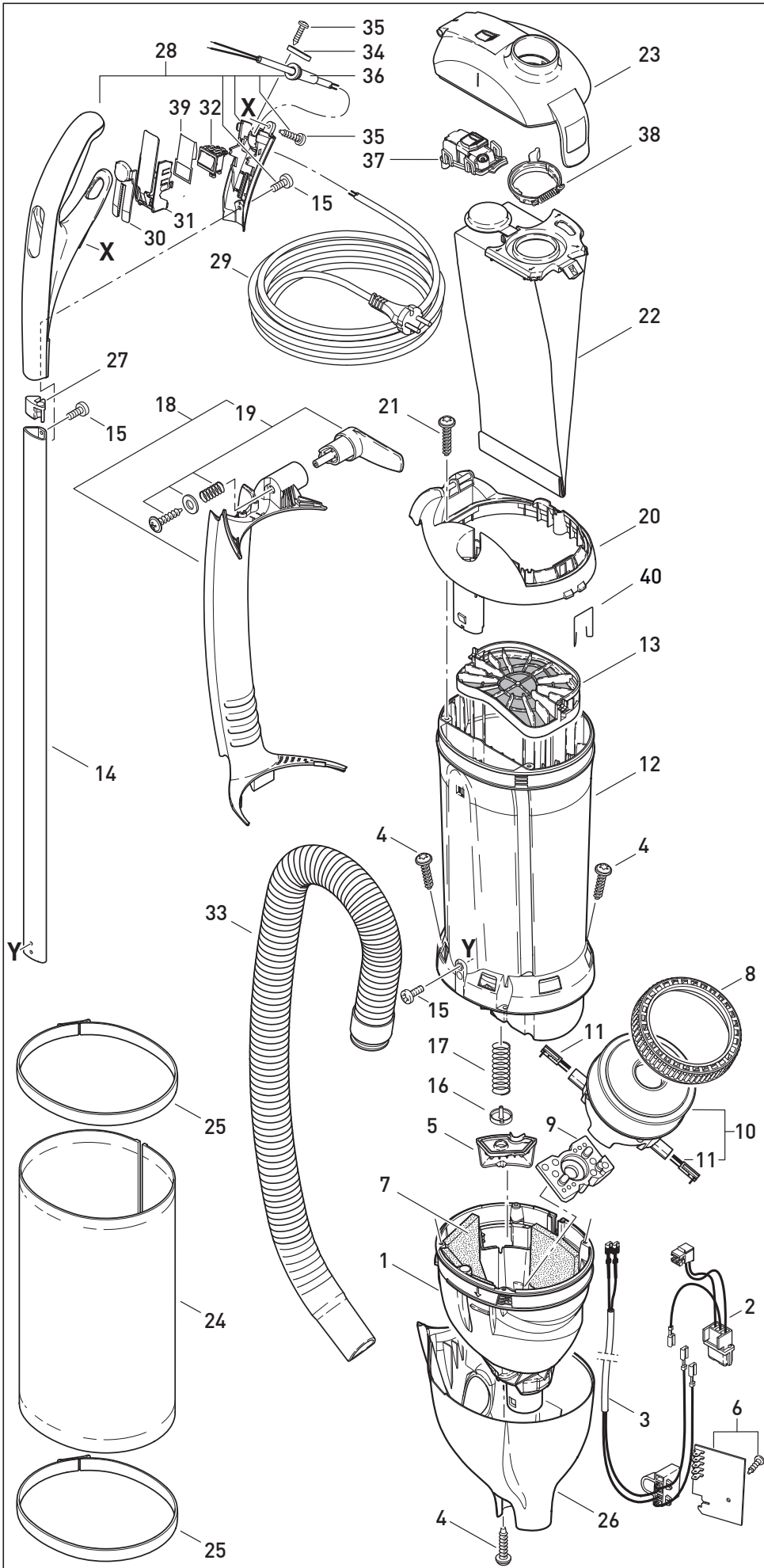
This information intended only for Europe (230 V / 240 V) and does not apply to North America !

# SPARE PARTS LIST



**SEBO DART 3**  
ULTRA HIGH SPEED

MADE IN GERMANY



Pos.	Product-Code	Description
1	7002 DG	Air duct
2	7064	Internal wiring ET
3	7070	Internal cable
4	01016ER	Screw STS 4x16-T20
5	7057 hg	Valve cover
6	7105 ER	Printed circuit board 230-240V
7	7098	Sound insulation
8	1047	VAC motor seal
9	7009	Rubber mounting
10	7040 ER	VAC motor 230-240V
11	05140 S	Pair of carbon brushes
12	7143 ER	Dust bag housing
13	7012	Motor filter
14	7080 ER	Handle tube, 660 mm
15	0127 ER	Screw M 4x10K
16	7025	Valve disc
17	7028	Valve spring
18	7090 dg	Hose duct
19	7027 DG	Cable hook
20	7092 hg	Cover, Dust bag housing
21	01017ER	Screw STS 4x20-T20
22	7029	Dust bag
23	7091 hg	Filter cover
24	7015ER02	Exhaust filter
25	7017 dg	Exhaust filter clamp
26	7169 SE	Lower housing
27	7076 hg	Tube plug
28	7163 HG	Handle grip, cpl.
29	7128 dg	Cable with Contour-plug
30	7035 dg	Sliding button
31	7073 hg	Handle frame
32	05138	Rocker switch, 2-pol.
33	7050 sb	Hose duct
34	1030 UL	Cable clamp
35	0103 ER	Screw C 3,9x16
36	1035 dg	Cable grommet
37	7094 ER	Filterindicator, cpl.
38	7018 OR	Retaining ring cpl.
39	7142	Protection film
40	7024	Spring

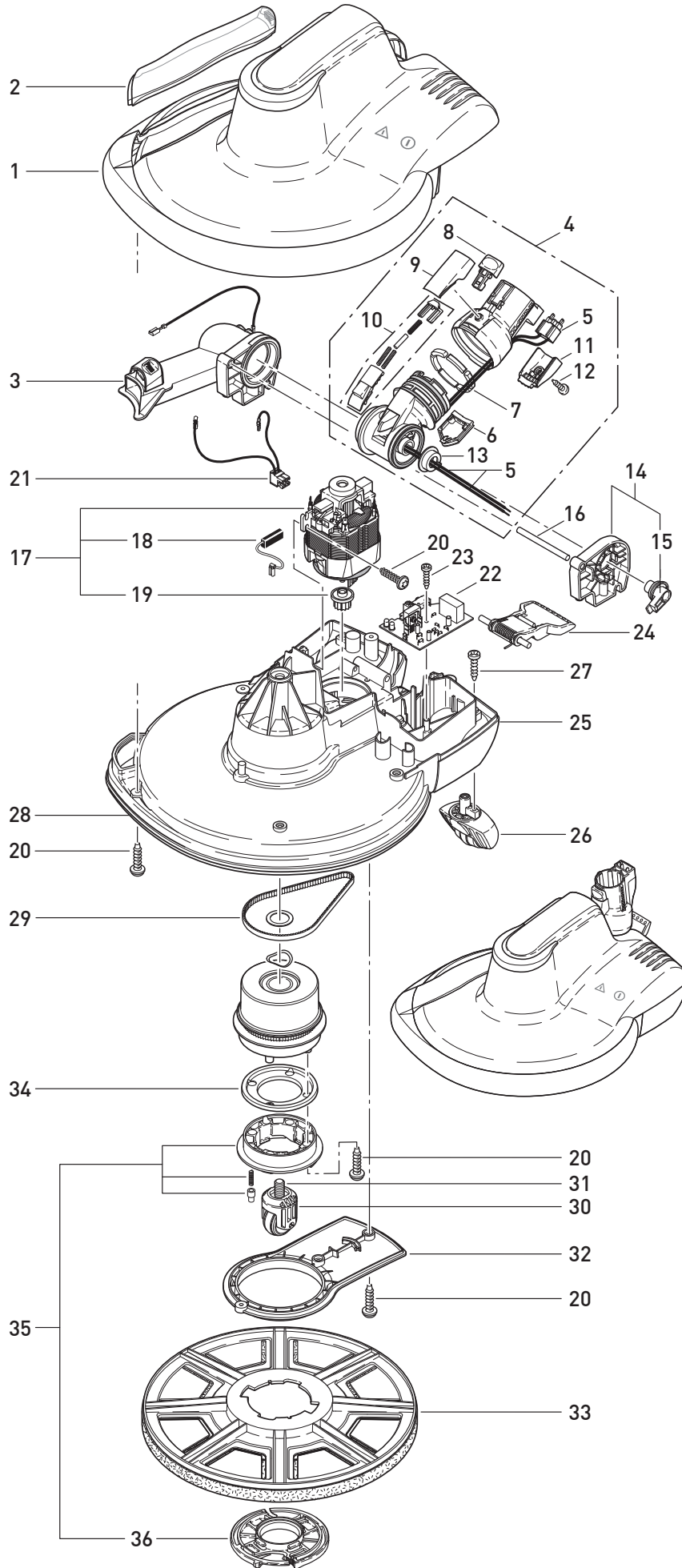
This information intended only for Europe (230 V / 240 V) and does not apply to North America !

# SPARE PARTS LIST



**SEBO DART 3**  
ULTRA HIGH SPEED

MADE IN GERMANY



Pos.	Part No.	Description
1	3204hgSE	Power head cover
2	3205 tg	Suction duct access cover
3	3258 DG	Swivel neck support
4	3226 DG	Turning swivel neck
5	0876 ER	Wiring for swivel neck
6	2947 DG	Cover
7	2950 ER	Bearing segments
8	1737 DG	Release button
9	2952 dg	Button cover
10	2945 DG	Swivel neck slide
11	2951 DG	Socket cover
12	01027 ER	Screw F3,9x9,5
13	2954	Swivel neck bearing
14	3257 ER	Swivel neck support l.h.
15	3238	Switch lever
16	2938 ER	Axle
17	3251 ER	Motor 230-240 V cpl.
18	05141 S	Pair of carbon brushes
19	3222	Motor pulley
20	01016 ER	Screw 4 x16
21	3245	Internal cable
22	3241 ER	Printed circuit board
23	01029 ER	Screw 2,9 x13
24	2937 OR	Foot pedal
25	3201 dg	Chassis
26	3254 DG	Rear castor
27	0102 ER	Screw 3,9 x13
28	3268 ER	Sealing strip
29	3221	Drive belt
30	3220 ER	Centre castor
31	01033 ER	Screw 10 x 25
32	3202 dg	Belt drive cover
33	3230ER00	SEBO Floor Pad blue
33	3230ER30	SEBO Floor Pad green
33	3286ER40	SEBO Floor Pad yellow and red
34	3219	Seal
35	3281 ER	Pad retainer cpl. with Quick-release disc
36	3280	Quick-release disc