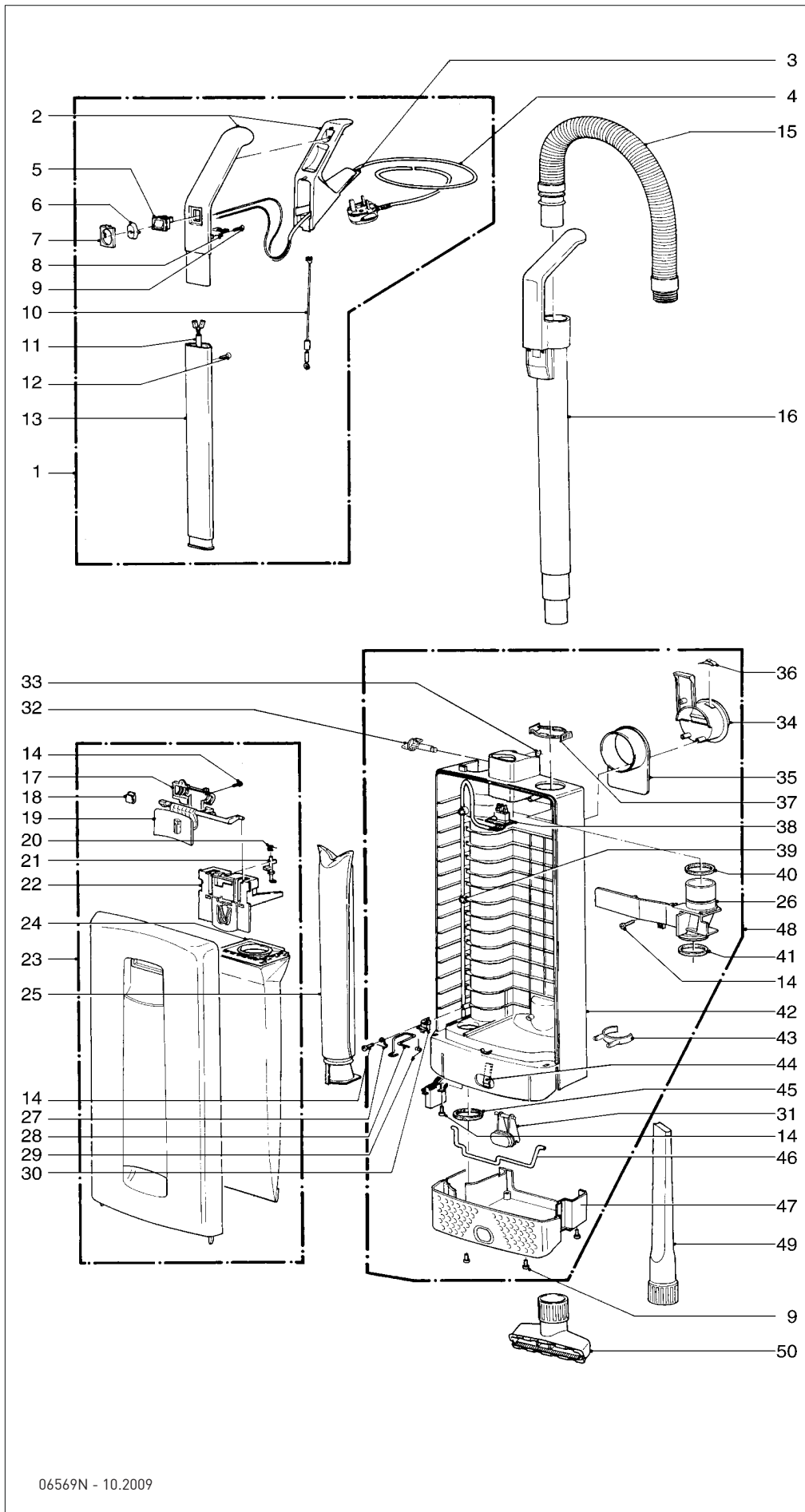


SEBO AUTOMATIC X5

240V

BLUE

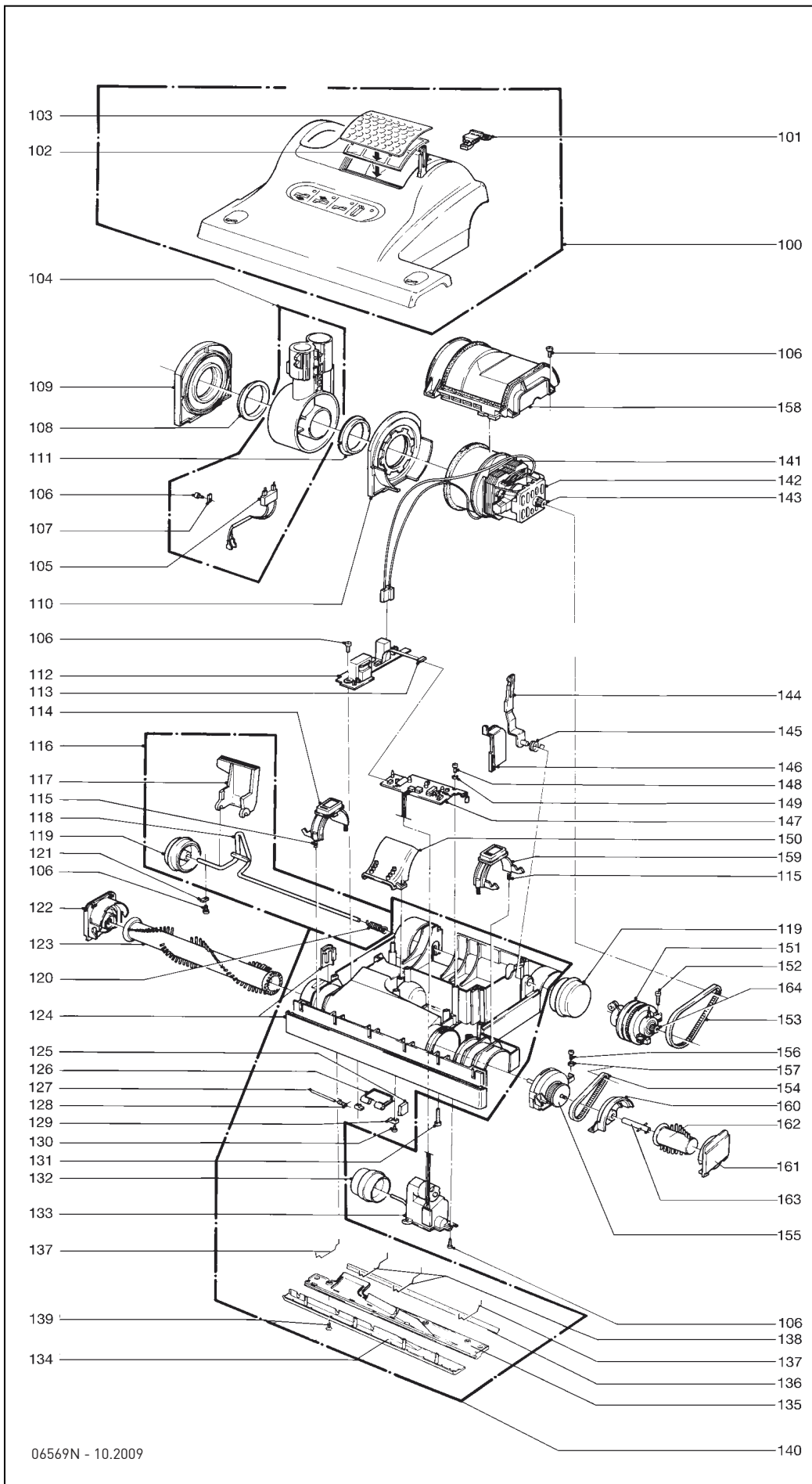


Pos.	Product Code	Description
1	5636AU	Handle, cpl.
2	5297ES	Handle grip (incl. Pos. 7 + 10)
3	5359DE	Grommet
4	5390dg	Cable with AU-plug
5	05111ER	Switch
6	5160sg	Switch cap
7	5161dg	Switch cap holder
8	5162	Cable clamp
9	0103ER	Screw C 3,9x16
10	5253-1	Wire-antistatic
11	5216ER	Handle cable
12	0129ER	Screw M4x12
13	5187	Handle tube
14	0102ER	Screw F 3,9x13
15	5040hg	Hose, cpl.
16	5045dg	Extension tube
17	5707db	Cover, blue
18	5319	Bag holder spring
19	5706sg	Cover release
20	5091	Safety catch spring
21	5360	Safety catch
22	5324	Bag holder, cpl. (incl. Pos. 20 + 21)
23	5749SE	Front cover complete
24	5093ER	Dust bag pack
25	5036ER	Micro Hygiene Filter
26	5380DG	Internal cover, cpl. (incl. Pos. 40 + 41)
27	1073	Clamp
28	5208	Filter safety catch
29	5210	Return spring
30	5164	Cable clamp
31	5722sg	Dust bag housing locking
32	1859sg	Handle catch
33	0161ER	Clip 4
34	5721db	Carrying handle
35	5703db	Cable hook
36	5146	Stop spring
37	5424dg	Retaining ring
38	5217ER	Internal cable
39	5266	Cable clamp
40	5842	Seal
41	5289	Seal
42	5764db	Dust bag housing
43	1823dg	Attachment clip
44	5084	Spring for locking rod
45	5163	Seal
46	5083	Locking rod
47	5702db	Dust bag housing bumper base
48	5763db	Dust bag housing, cpl.
49	1092dg	Crevice nozzle
50	1491dg	Upholstery nozzle

SEBO AUTOMATIC X5

240V

BLUE

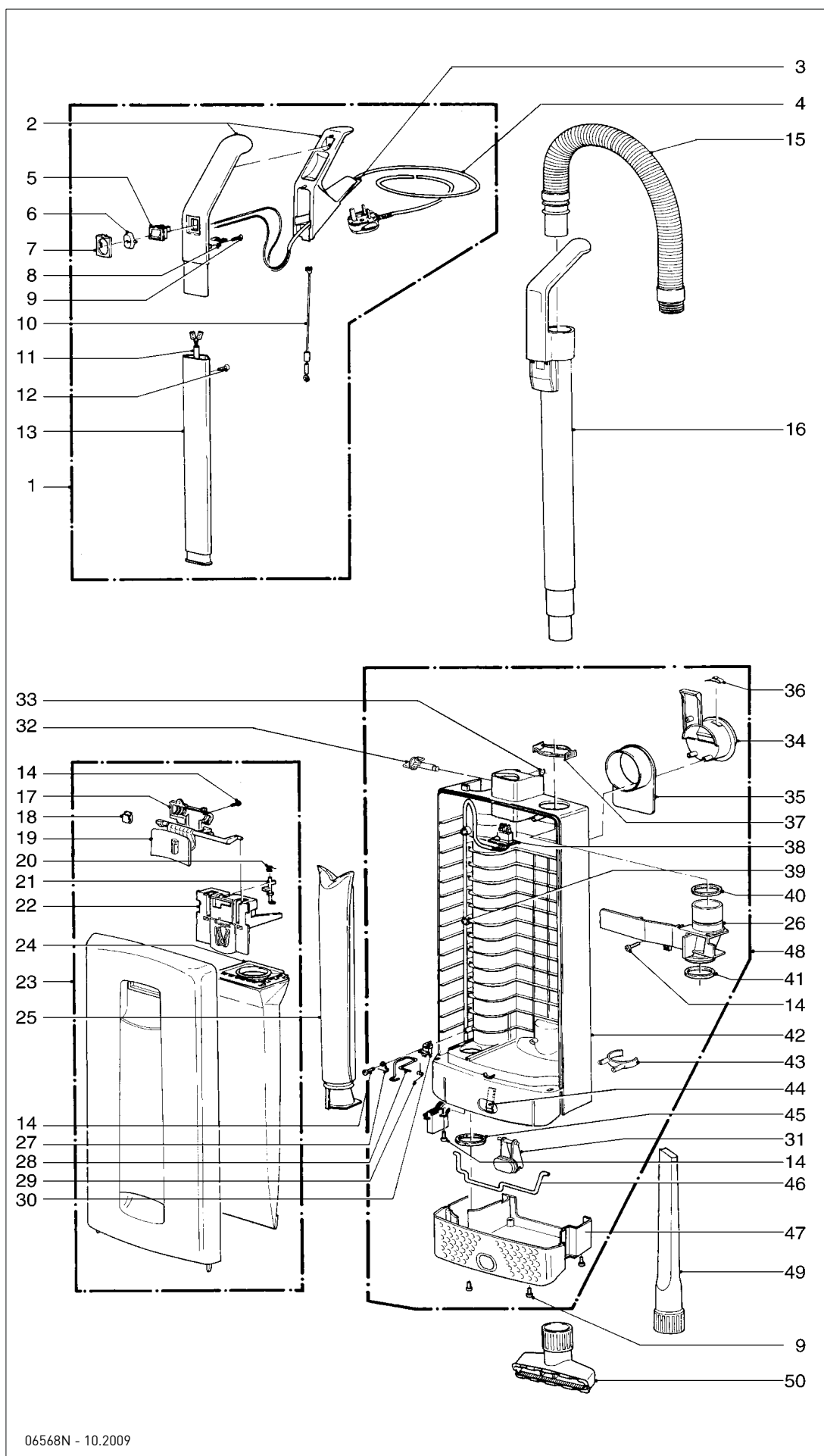


Pos.	Product Code	Description
100	5796SE	Power head cover, cpl.
101	5712db	Exhaust filter catch
102	5143	Exhaust filter
103	5711db	Exhaust filter cover
104	5729hg	Swivel neck assembly
105	5176	Male contact holder
106	0102ER	Screw F 3,9x13
107	2494	Cable clamp
108	5101	Swivel neck bearing,r.h.
109	5178	Swivel neck support, r.h.
110	5728	Swivel neck support, l.h.
111	5717	Swivel neck bearing,l.h.
112	5193ER	PCB12V power supply
113	5205	Ribbon cable
114	5713db	Brush roller release
115	5103	Spring
116	5051dg	Axle, assembly
117	5059or	Foot pedal
118	5053	Axle
119	5819dg	Wheel
120	2010	Axle spring
121	2014ER	Axle clamp
122	5031db	Bearing block right hand
123	5290ER	Brush roller (incl. pos. 162)
124	5230dg	Bumper
125	5155dg	Rubbing plate
126	5172OR	Access door (incl. Pos. 127 + 128)
127	5303	Access door axle
128	5304	Access door spring
129	5154dg	Hinge
130	0100ER	Screw C 2,9x9,5
131	0176ER	Screw AM4x30
132	5174dg	Pile adjustment wheel
133	5060ER	Servo motor with gear box
134	5413dg	Front bottom plate, cpl.
135	5414dg	Rear bottom plate, cpl.
136	5400-2	Sealing strip
137	5401	Wire tie
138	5402	Wire tie
139	0197ER	Screw M4x12
140	5321dg	Chassis, cpl.
141	05118S	Carbon brush set/vac mot.
141	5471	Vacuum motor 1000 W/240 V
142	5100	Rubber mounting
143	5462	Motor pulley
144	5129	Support lever
145	5107-1	Support spring
146	5112sw	Motor pulley cover
147	5740ER	Computer controller
148	0107ER	Screw C 2,9x13
149	0143ER	Washer 3,2
150	5173sw	Cover for air channel
151	5465	Sensor
152	0104ER	Screw C 3,9x25
153	5463	Belt 2MR-310-6
154	5110	Belt 219 3M HTDII-6
155	5767hg	Bearing block l.h., cpl.
156	0103ER	Screw C 3,9x16
157	0141ER	Locking washer
158	5018UL	Motor cover
159	5714db	Brush roller release
160	5244hg	Seal bearing
161	5249db	Brush cover
162	5250	Edge brush
163	5246	Shaftextension cpl.
164	5117/1	Sensor pulley

SEBO AUTOMATIC X5

240V

WHITE

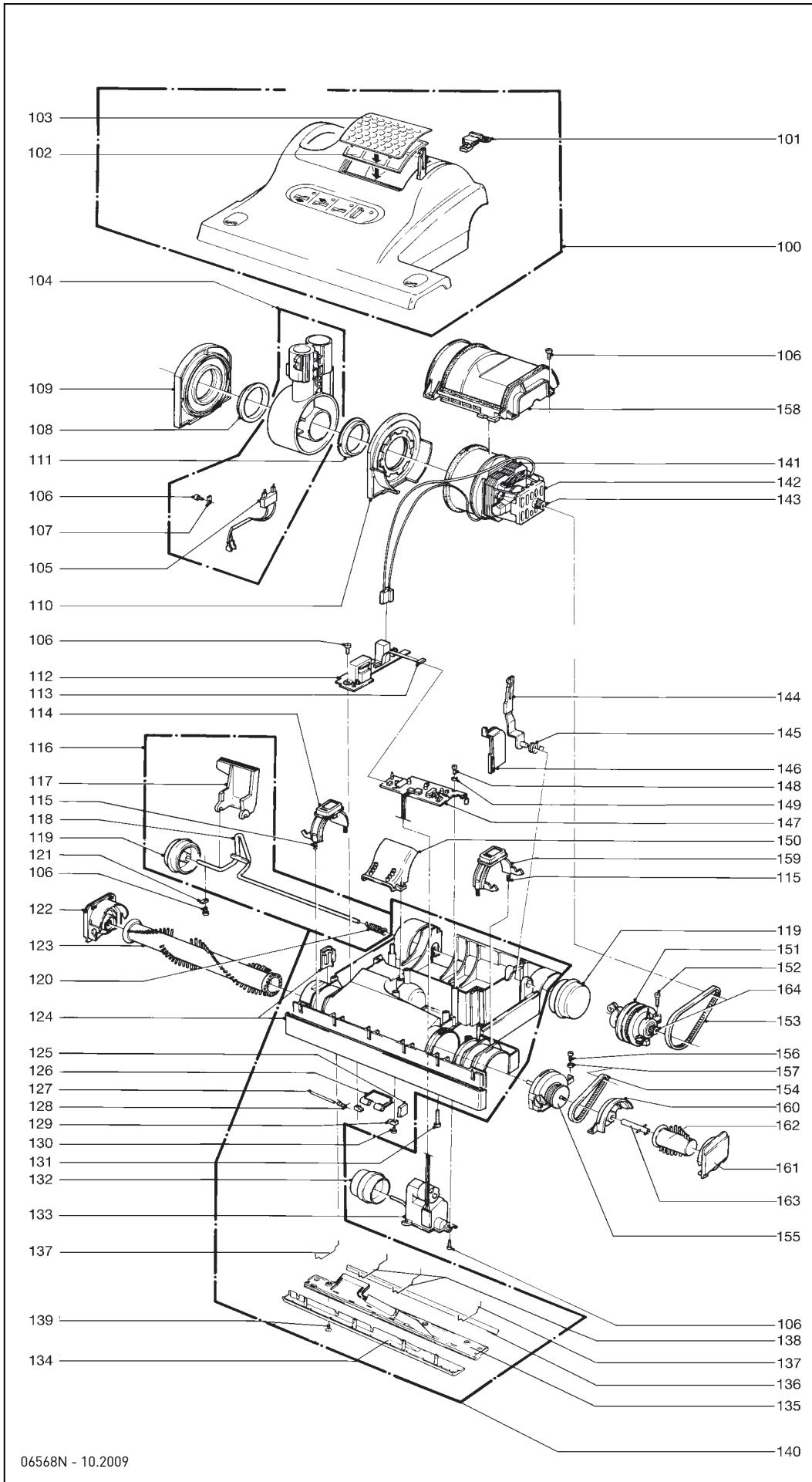


Pos.	Product Code	Description
1	5631AU	Handle, cpl.
2	5297ES	Handle grip (incl. Pos. 7 + 10)
3	5359DE	Grommet
4	5390dg	Cable with AU-Plug
5	05111ER	Switch
6	5160hg	Switch cap
7	5161dg	Switch cap holder
8	5162	Cable clamp
9	0103ER	Screw C 3,9x16
10	5253-1	Wire-antistatic
11	5216ER	Handle cable
12	0129ER	Screw M4x12
13	5187	Handle tube
14	0102ER	Screw F 3,9x13
15	5040hg	Hose, cpl.
16	5045dg	Extension tube
17	5707gw	Cover, white
18	5319	Bag holder spring
19	5706dg	Cover release
20	5091	Safety catch spring
21	5360	Safety catch
22	5324	Bag holder, cpl. (incl. Pos. 20 + 21)
23	5750SE	Front cover complete
24	5093ER	Dust bag pack
25	5036ER	Micro Hygiene Filter
26	5380DG	Internal cover, cpl. (incl. Pos. 40 + 41)
27	1073	Clamp
28	5208	Filter safety catch
29	5210	Return spring
30	5164	Cable clamp
31	5722dg	Dust bag housing locking
32	1859dg	Handle catch
33	0161ER	Clip 4
34	5721gw	Carrying handle
35	5703gw	Cable hook
36	5146	Stop spring
37	5424dg	Retaining ring
38	5217ER	Internal cable
39	5266	Cable clamp
40	5842	Seal
41	5289	Seal
42	5764gw	Dust bag housing
43	1823dg	Attachment clip
44	5084	Spring for locking rod
45	5163	Seal
46	5083	Locking rod
47	5702gw	Dust bag housing bumper
48	5755gw	Dust bag housing, cpl.
49	1092dg	Crevice nozzle
50	1491dg	Upholstery nozzle

SEBO AUTOMATIC X5

240V

WHITE



Pos.	Product Code	Description
100	5790SE	Power head cover, cpl.
101	5712gw	Exhaust filter catch
102	5143	Exhaust filter
103	5711gw	Exhaust filter cover
104	5729hg	Swivel neck assembly
105	5176	Male contact holder
106	0102ER	Screw F 3,9x13
107	2494	Cable clamp
108	5101	Swivel neck bearing,r.h.
109	5178	Swivel neck support, r.h.
110	5728	Swivel neck support, l.h.
111	5717	Swivel neck bearing,l.h.
112	5193ER	PCB12V power supply
113	5205	Ribbon cable
114	5713gw	Brush roller release
115	5103	Spring
116	5051dg	Axle, assembly
117	5059or	Foot pedal
118	5053	Axle
119	5819dg	Wheel
120	2010	Axle spring
121	2014ER	Axle clamp
122	5031gw	Bearing block right hand
123	5290ER	Brush roller (incl. pos. 162)
124	5230dg	Bumper
125	5155dg	Rubbing plate
126	5172OR	Access door (incl. Pos. 127 + 128)
127	5303	Access door axle
128	5304	Access door spring
129	5154dg	Hinge
130	0100ER	Screw C 2,9x9,5
131	0176ER	Screw AM4x30
132	5174dg	Pile adjustment wheel
133	5060ER	Servo motor with gear box
134	5413dg	Front bottom plate, cpl.
135	5414dg	Rear bottom plate, cpl.
136	5400-2	Sealing strip
137	5401	Wire tie
138	5402	Wire tie
139	0197ER	Screw M4x12
140	5321dg	Chassis, cpl.
141	05118S	Carbon brush set/vac mot.
141	5471	Vacuum motor 1000 W/240 V
142	5100	Rubber mounting
143	5462	Motor pulley
144	5129	Support lever
145	5107-1	Support spring
146	5112sw	Motor pulley cover
147	5740ER	Computer controller
148	0107ER	Screw C 2,9x13
149	0143ER	Washer 3,2
150	5173sw	Cover for air channel
151	5465	Sensor
152	0104ER	Screw C 3,9x25
153	5463	Belt 2MR-310-6
154	5110	Belt 219 3M HTDII-6
155	5767hg	Bearing block l.h., cpl.
156	0103ER	Screw C 3,9x16
157	0141ER	Locking washer
158	5018UL	Motor cover
159	5714gw	Brush roller release
160	5244hg	Seal bearing
161	5249gw	Brush cover
162	5250	Edge brush
163	5246	Shaftextension cpl.
164	5117/1	Sensor pulley