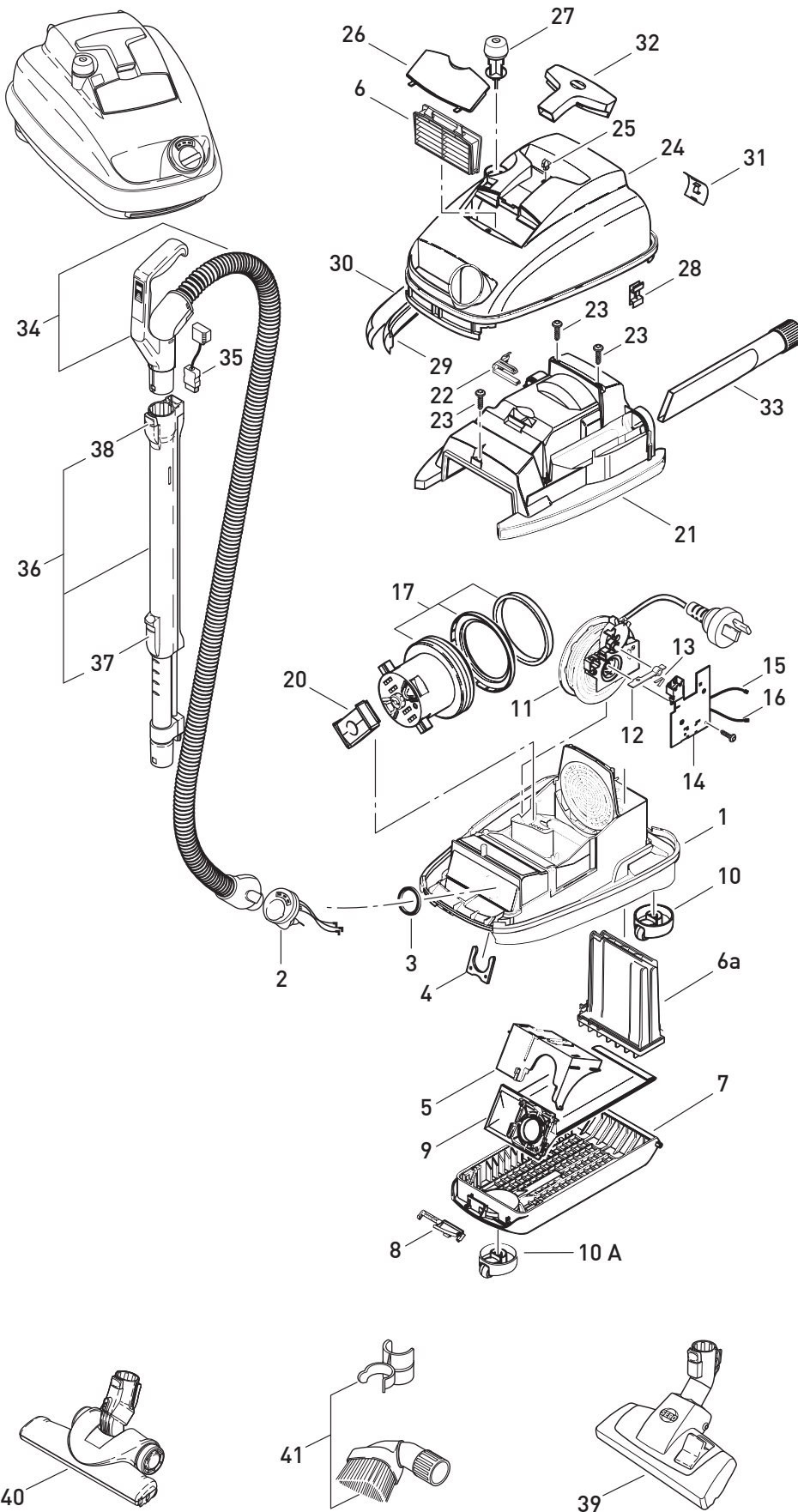


NAYLA



SEBO AIRBELT K3 PREMIUM

2100 WATT, 240 V



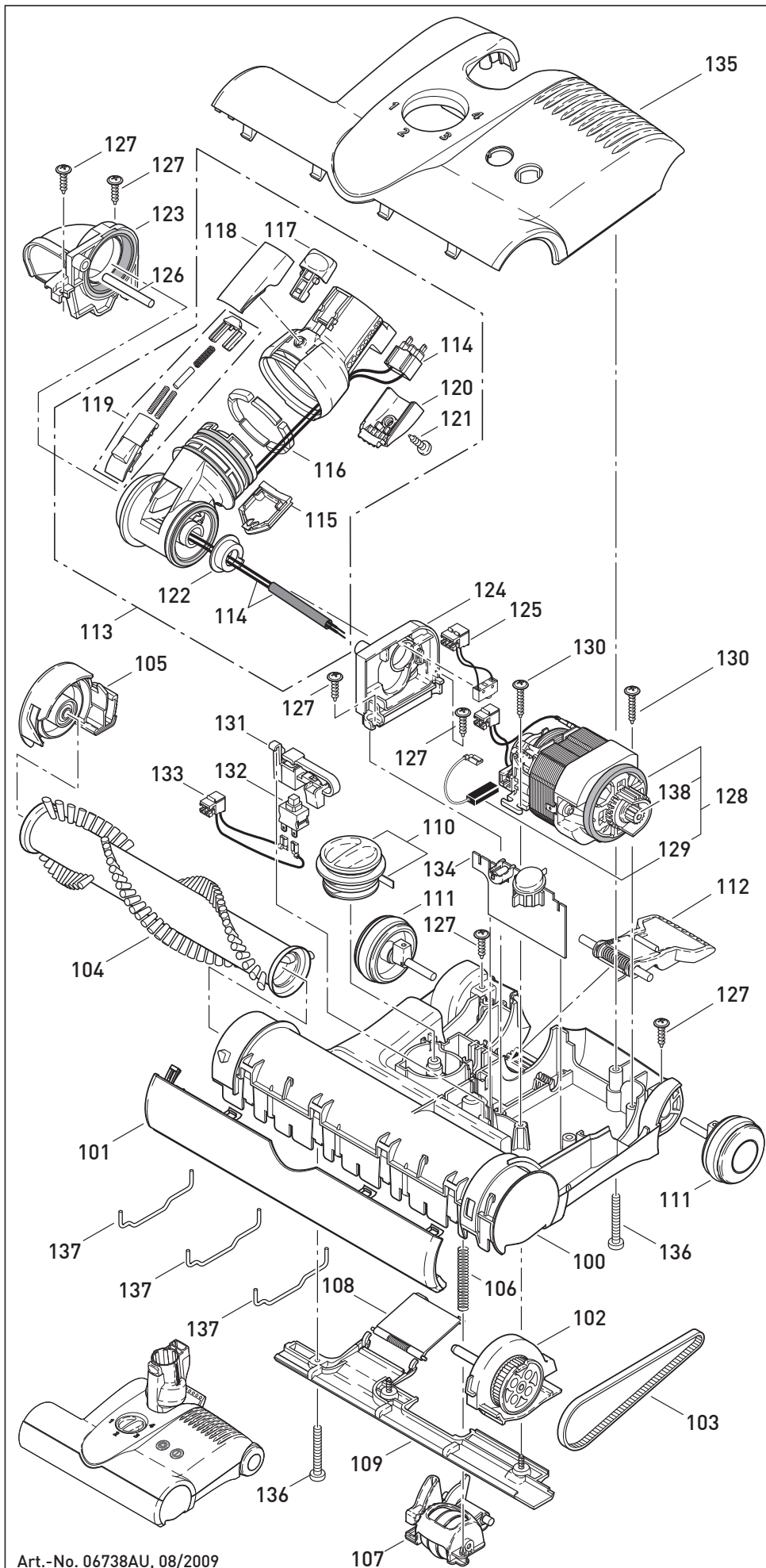
Pos.	Art.-No.	Description
1	6754dg	Bottom casing
2	6677dg	Suction neck
3	6014	Seal
4	6042ws	Spring lock
5	6681hg	Bag holder, cpl.
6	6695ER	Sebo Service-Box K incl. Pos. 6a, 9
7	6756dg	Bag cover, cpl.
8	6607dg	Cover release
9	6629ER	Sebo-Filterbox K
10	6751dg	Castor cpl. K
10a	6752dg	Castor cpl. K
11	6654	Cable rewind with Aus-plug
12	6621	Switch lever
13	1739	Leaf spring
14	6689ER	Electronic controller K3
15	6758	Thermo switch
16	6638	Internal cable, white
17	6745ER	Vac motor 230/240V, 2100W incl. Fan ring, seal
20	6636	Engine mounting
21	6679dg	Motor cover
22	6622dg	Plug surround
24	6680gw	Top casing K
25	6625ER	Release button
26	6403GB	Cover, K3 PREMIUM 2100W
27	6666gw	On/off knob
28	6086hg	Casing clip
29	6623UL	Foam bumper
30	6047ER01	Airbelt, dark grey
31	6048dg	Airbelt clip
32	6627dg	Upholstery nozzle
33	1092dg	Crevice nozzle
34	6379	Handle with hose K3,cpl
35	6369dg	Mains cable ET- K3
36	6270dg	Telescopic tube
37	6421dg	Slide button, cpl.
38	6420dg	Release button, cpl.
39	6735	Comb. nozzle K PREMIUM
40	7200DG	SEBO Parquet brush
41	7207ER	Brush strips-set SEBO Parquet
41	6697ER	Dusting Brush + Clip

NAYLA



SEBO AIRBELT K3 PREMIUM

2100 WATT, 240 V



Pos.	Art.-No.	Description
100	2324dg	CHASSIS ET1
101	2302dg	Bumper
102	2314dg	Bearing Block, Left Cpl.
103	2923	Belt 333 3m Htdii-6
104	5010ER	Brush Roller X1/x4/g1/felix1
105	2313dg	Bearing Block, Right Cpl.
106	2929	Spring
107	2316dg	Pile Adjustment Assembly
108	2909VO	Access Door
109	2304dg	Rear Bottom Plate Cpl.
110	2931DG	Pile Adjustment Button
111	2306DG	Wheel
112	2937OR	Foot Pedal
113	2307dg	Swivel Neck Assembly
114	0876ER	Wiring Swivel Neck
115	2947DG	Cover
116	2950ER	Bearing Segments
117	1737DG	Release Button
118	2952dg	Button Cover
119	2945DG	Swivel Neck Slide
120	2951DG	Socket Cover, Ts-neck
121	01027ER	Screw F 3,9x9,5 Din 7981
122	2954	Swivel Neck Bearing
123	2311	Swivel Neck Support R.H.
124	2312	Swivel Neck Support L.H.
125	0880	Wiring Swivel Neck Switch
126	2928	Axle
127	01021ER	Screw F 3,9x13 Din 968
128	2975ER	Brush Motor 230/240v, 175w
129	05141S	Pair Of Carbon Brushes
130	01020ER	Screw F 3,9x21 Din 968
131	2958ER	Lever
132	05114	Switch 1-pol.
133	0881	Wire
134	2985ER	Printed Circuit Board
135	2326gwET	Power Head Cover Et1
136	0176ER	Screw Am4 X 30 Din 7985
137	5402	Wire Tie
138	2319	Motor Pulley