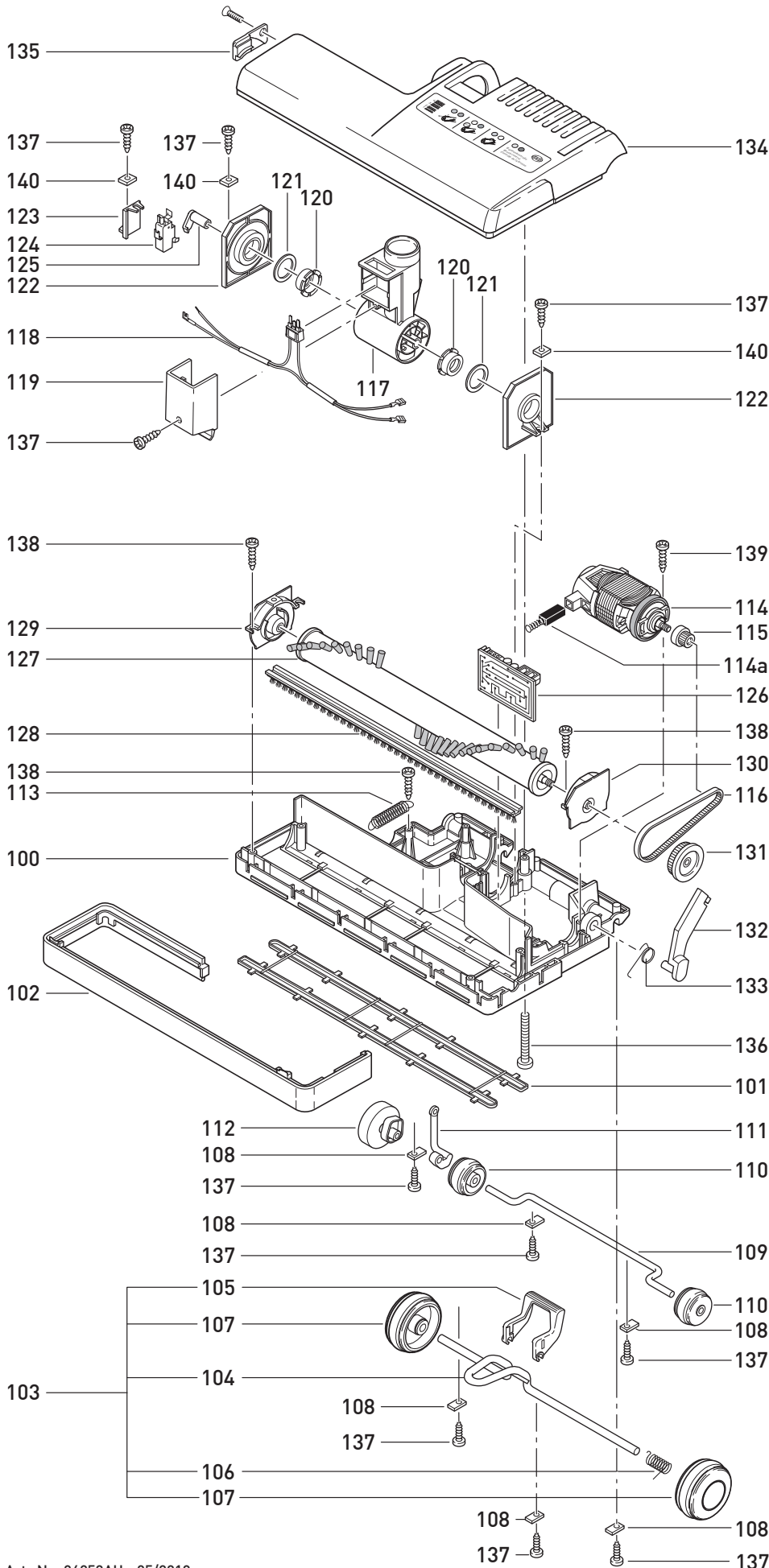


Pos.	Art.-No.	Description (ENG)
1	1037 EH	Handle grip, compl. incl. Pos.2
2	1596 hg	Handle cover
3	0127 ER	Screw M 4x10k
4	1874 dg	Cable with Aus-plug
5	1848	Handle cpl.
6	1831 hg	Dust bag housing
7	1835 dg	Internal cover 370/470
8	5289	Seal
9	5043	Seal
10	5424 dg	Retaining ring
11	1823 hg	Attachment clip
12	5359 HE	Grommet 10pcs, light grey
13	0502	Terminal block 2-wire
14	1030 UL	Cable clamp
15	1812 hg	Cover
16	1814 hg	Carrying handle
17	5146	Stop spring
18	1813 hg	Cable hook
19	1859 dg	Handle catch
20	0161 ER	Clip 4
21	0850 dg	Locking catch
22	1811	Locking rod
23	1012 N	Terminal block compl.
24	1807 hg	Connector
25	1836	Female kontakt holder
26	1851	Sound insulation
27	1047	Vac motor seal
28	1845	Vav motor 240V/1000W
28a	05118 S	Carbon brush set
29	1821	Motor cover
30	1822-1	Motor support
31	1027	Leaf spring
32	1073	Clamp
33	1824	Connecting rod
34	1825	Motor filter
35	1934 ER	Print.circ.board 240V
36	1860	Fitting
37	1852 hg	Suction pipe cover
38	1869 hg	Lens, bag light indicator
39	1830 dg	Switch button
40	1862	Spring
41	1833	Internal cable 240V
42	1878	Exhaust filter
43	1802 hg	Exhaust filter cover
44	1853 SE	Motor cover
45	1804 hg	Dust bag housing bumper
46	1846 hg	Front cover complete
47	1818 dg	Cover release
48	6040	Seal, cover release
49	1819	Bearing cover
50	1847	Bag holder, compl.
51	5091	Safety catch spring
52	1817	Safety catch
53	5093 N	Dust bag/pack 1 pcs.
54	5045 dg	Extension tube
55	5040 hg	Hose compl.
56	1491 dg	Upholstery nozzle
57	1092 dg	Crevice nozzle
58	0102 ER	Screw F 3,9x13
59	0103 ER	Screw F 3,9x16
60	1875	Micro/Hosp.-filter
61	1884 hg	Retaining button



Pos.	Art.-No.	Description (ENG)
100	4611 hg	Chassis, compl.
101	4004 ER	Metal plate set, compl.
102	4522 hg	Bumper
103	4617 hg	Axle, compl.
104	4523	Axle, only
105	2528 or	Foot pedal
106	2010	Axle spring
107	4603 hg	Wheel, compl.
108	2014 ER	Axle clamp, 10 pcs.
109	4006	Pile adjustment axle
110	2608 hg	Pile adjustment wheel
111	4012	Pile adjustment lever
112	2622 hg	Pile adjustment knob
113	4019	Spring
114	4610 ER	Brush motor 240V, 200W
114a	05084 S	Carbon brush-set/brush motor
115	2025	Motor pulley
116	4024	Drive belt
117	4605 hg	Swivel neck assembly, compl.
118	4606	Wire, swivel neck compl.
119	2602 hg	Swivel neck cover
120	2467	Plastic bearing inside
121	0155 ER	Washer 22/30/0,5
122	2613	Swivel support, compl.
123	2453	Micro switch support, compl.
124	0531/1	Micro switch for swivel
125	4601	Switch, lever
126	4534 ER	PCB 470, 240V
127	4033 ER	Brush assembly, compl.
128	4028	Brush strip
129	2047	Bearing block r.h.
130	2091	Bearing block l.h.
131	2458	Brush roller pulley
132	2653 hg	Support lever inc. pos. 133
133	2651	Return spring
134	4613 SE	Cover, compl.
135	2542	Brush strip cover, compl.
136	0111 ER	Screw AM 5x30
137	0102 ER	Screw F 3,9x13
138	0103 ER	Screw C 3,9x16
139	0174 ER	Screw C 3,9x22
140	0141 ER	Locking washer